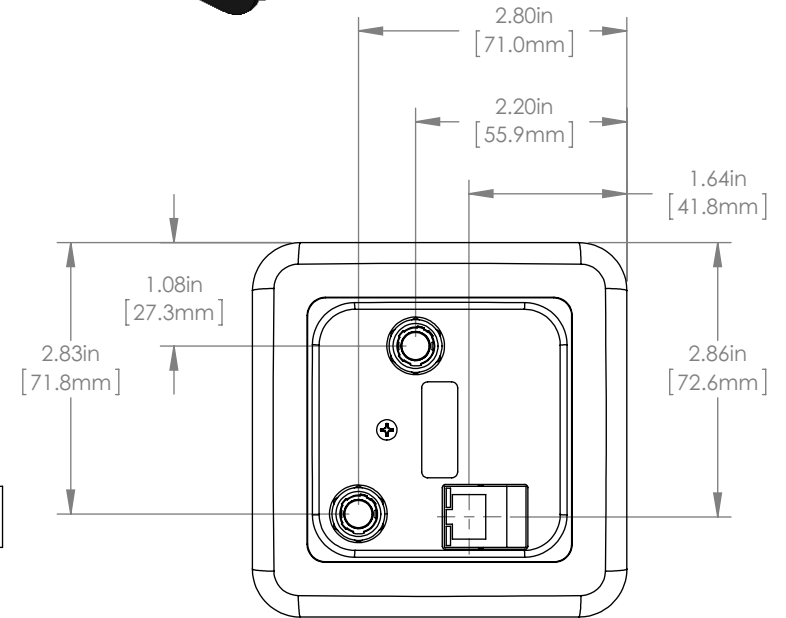
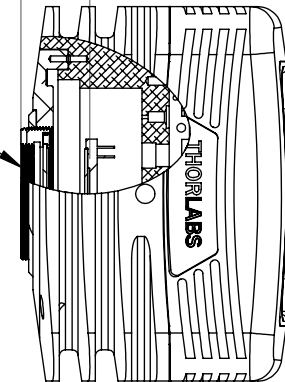


MAX. 0.76in
MIN. 0.68in
[19.2mm]
[17.2mm]
ADJUSTABLE
CCD IMAGE PLANE

1.000"-32
C-MOUNT



REFER TO USERS MANUAL
FOR INTERCONNECT DETAILS

DRAWING PROJECTION

	NAME	DATE
DRAWN	J.O.	7/23/15
APPROVAL	M.P.	7/23/15

COPYRIGHT © 2014 BY THORLABS

VALUES IN PARENTHESIS ARE CALCULATED
AND MAY CONTAIN ROUND OFF ERRORS

THORLABS
www.thorlabs.com

DIGITAL SCIENTIFIC CAMERA

MATERIAL N/A REV A

ITEM # 8051C-GE-TE APPROX WEIGHT 1.0 kg

FOR INFORMATION ONLY
NOT FOR MANUFACTURING PURPOSES

ROHS COMPLIANT